

A.S.P. Electro-Technology Ltd

Tel: +44 (0) 1455 635796
Fax: +44 (0) 1455 610851

sales@asp-electro-tech.com
www.asp-electro-tech.com

IS-CP4A-BG/IS-CP4B-BG Break Glass Call Point

The IS-CP4A-BG and IS-CP4B-BG break glass manual call points are approved for Zones 0, 1, 2, 21 & 22 requiring intrinsically safe equipment for the control of fire and gas alarm systems. SIL 2 compliant to IEC 61508 (2010).

The IS-CP4 range features enclosures manufactured from corrosion proof, marine grade, copper free LM6 (A413) aluminium which is chromated and powder coated. Available with and without monitoring resistors all versions are certified to ATEX and IECEx standards.

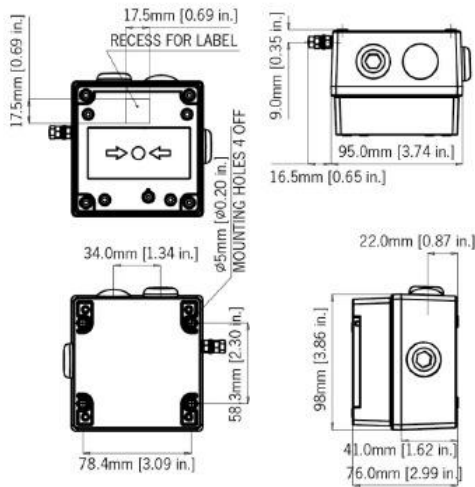
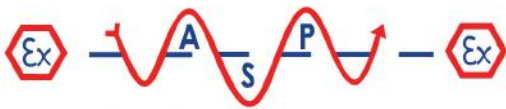
Options

- Alternative housing colours are available to meet specific requirements.
- Stainless Steel lift flap
- Metalised Polyester "Duty" label.
- Series and/or End of Line resistors.

Approvals

- ATEX certificate: SIRA 09ATEX2287X,
EN 60079-0 : 2012, EN 60079-11 : 2012,
IEC 60079-26 : 2014, EN 60079-31 : 2014
- IECEx certificate: IECEx SIR 09.0122X,
IEC 60079-0 : 2011, IEC 60079-11 : 2011,
IEC 60079-26 : 2014, IEC 60079-31 : 2013
- GOST-R certificate: POCC GB.JB05.B03365
- SIL 2 compliant to IEC 61508 (2010)





Specification

ISCP4A-BG:	II 1G Ex ia IIC T6 Ga II 2D Ex tb IIIC T60°C Db IP66
ISCP4B-BG:	II 1G Ex ia IIC T4 Ga IP66
Ambient:	Ta = -40°C to +55°C [-40° to +131°F]
Ingress protection:	IP66
Enclosure material:	Marine grade copper free LM6 Aluminium
Enclosure finish:	Chromated & powder coated finish: anti-corrosion.
Colour:	RAL3000 Red (others available on request)
Cable entries:	2 x M20 clearance top and 1 x M20 clearance side. Back box can be rotated to give 2 x bottom and 1 x side entries.
Stopping plugs:	2 x nylon plugs as standard Brass and stainless steel plugs optional
Terminals:	6 x 4.0mm ² cables
Weight:	0.8Kg

Part Codes

Option:	Code:	Description:
Type:	ISCP4A-BG	A type - no end of line devices
	ISCP4B-BG	B type - choice of end of line devices
Terminals:	ST	ST: Standard 6 x 4mm ²
Lift flap:	LF	Lift flap
	NF	No lift flap
Duty label:	NL	No duty label
	DL	Duty label required - specify contents
Colour:	RD	Red enclosure colour
	XX	Other enclosure colour - contact sales
E.O.L. Resistor:	ExxxR	Resistor value in Ohms e.g. E470R = 470 Ohm (only required for ISCP4B type)
Series Resistor:	SxxxR	Resistor value in Ohms e.g. E1K5R = 1.5K Ohm (only required for ISCP4B type)

e.g. ISCP4A-BG-ST-LF-NL-RD

ISCP4A Break glass call point with 6 x 4mm² terminals, lift flap and no duty label. Red housing

e.g. ISCP4B-BG-ST-NF-NL-RD-E470R

ISCP4B Break glass call point 6 x 4mm² terminals, no lift flap, no duty label, with a 470 Ohm end of line resistor. Red housing.

Versions

Version:	Input:	Voltage:	Terminals:	Cable entries:
ISCP4A-BG	Ui = 30V Ii = 500mA Pi = 1.1W Ci = 0 Li = 0	250V ac Max. 5.0A Max. 50V dc Max. 1.0A Max.	6 x 4mm ²	2 x M20 Top/Bottom 1 x M20 Left/Right
Coding:	II 1G Ex ia IIC T6 Ga Ta = - 40°C to +55°C II 2D Ex tb IIIC T60°v C Db IP66			
Version:	Input:		Terminals:	Cable entries:
ISCP4B-BG	Ui = 30V Ii = 500mA Pi = 1.1W Ci = 0 Li = 0		6 x 4mm ²	2 x M20 Top/Bottom 1 x M20 Left/Right
Coding:	II 1G Ex ia IIC T4 Ga Ta = - 40°C to +55°			